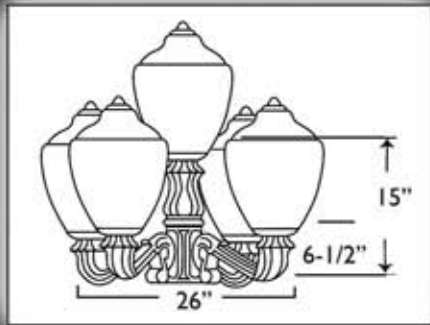


Victorian

Victorian



Victorian Polysteel® fixture includes four FPS incandenscent fitters and is available with either 14", 17" or 18" acorns or 12" round globes. The Victorian has a 2-1/4" opening and is scaled to fit our polysteel posts.

Bollard

Bollard



Our polysteel® bollard is a reproduction of the old 1900's wharf posts historically found in many U.S. seaports.

Our lighted bollard makes a handsome drive way or commercial entrance marker. Also use the bollard for elegant pathway, courtyard or garden lighting.

The bollard is made of the same three part composite material as our polysteel lamp post and includes a 17" burial extension for easy installation. The octagonal base allows for a variable total height of 35" to 43".



Domed Light



Pipe Light



8" Globe Light

Mail Boxes

Mail Boxes

Our mailbox bases match Classic's traditional style lamp posts. Bottom door height from ground is 40". USPS Approved. They are maintenance free and easy to install. Both bases available with multiple heads.



Danbury



Canterbury



Clock

Clock