

Polysteel® Post Story

Polysteel® Post Story

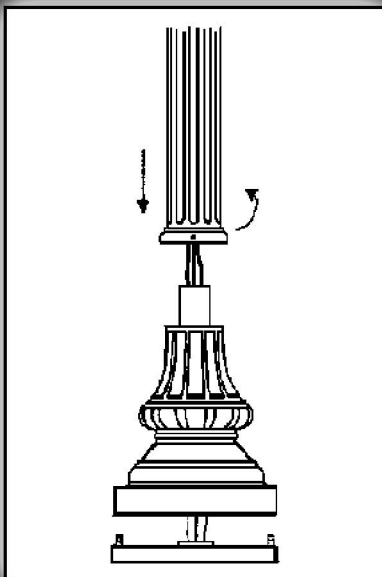
Classic Lighting offers unique reproductions of period lighting posts and luminaires. Our posts create an elegant atmosphere that can be a key ingredient in making your project a success. Enhance such areas as entrance ways, walkways, courtyards, pools, recreational areas, parking lots or private roads with either our Washington or New England post series.

Both styles are detailed reproductions of early American decorative posts and are manufactured by utilizing our three part composite we call Polysteel®.

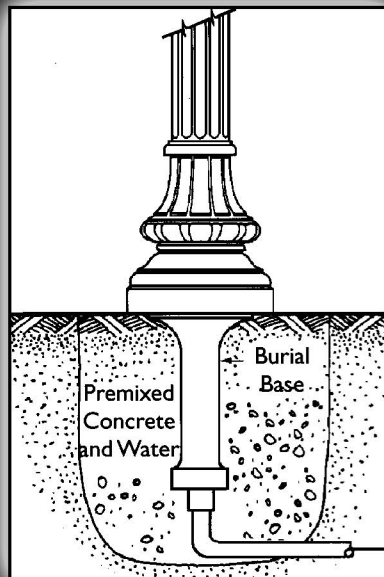
Polysteel® Post

Polysteel® Post

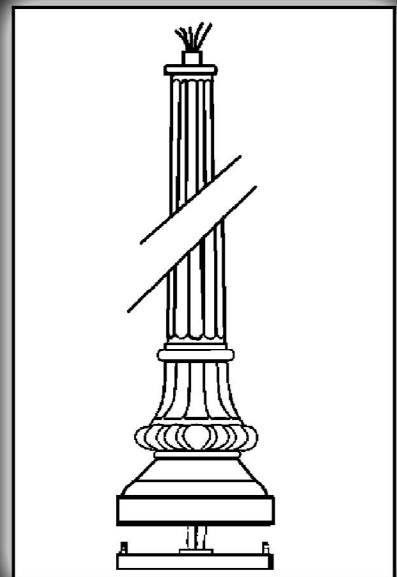
The polysteel® poles manufactured in the U.S.A. offer the structural benefits of steel with the low maintenance and durability of polyethylene. Our polysteel® posts feature a galvanized steel post encased in structural polyurethane foam, covered with an exterior layer of durable polyethylene resistant to environmental aging and severe temperature changes. This unique design is lighter than conventional steel providing easier handling and faster installation. Polysteel® posts & fixtures are available in black, white, Tennessee green, or sandstone.



2 Piece Anchor Bolt Base



Burial Base



Anchor Bolt Base