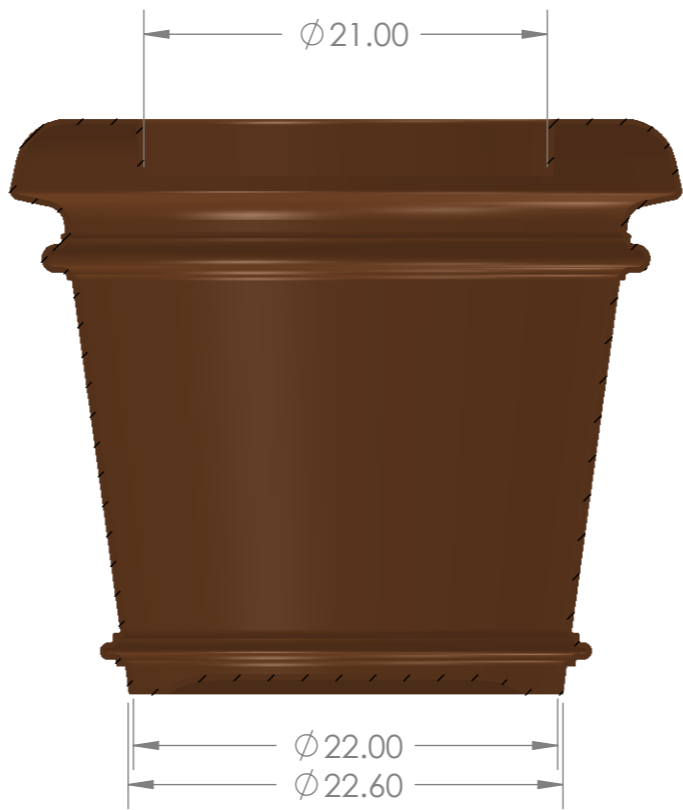
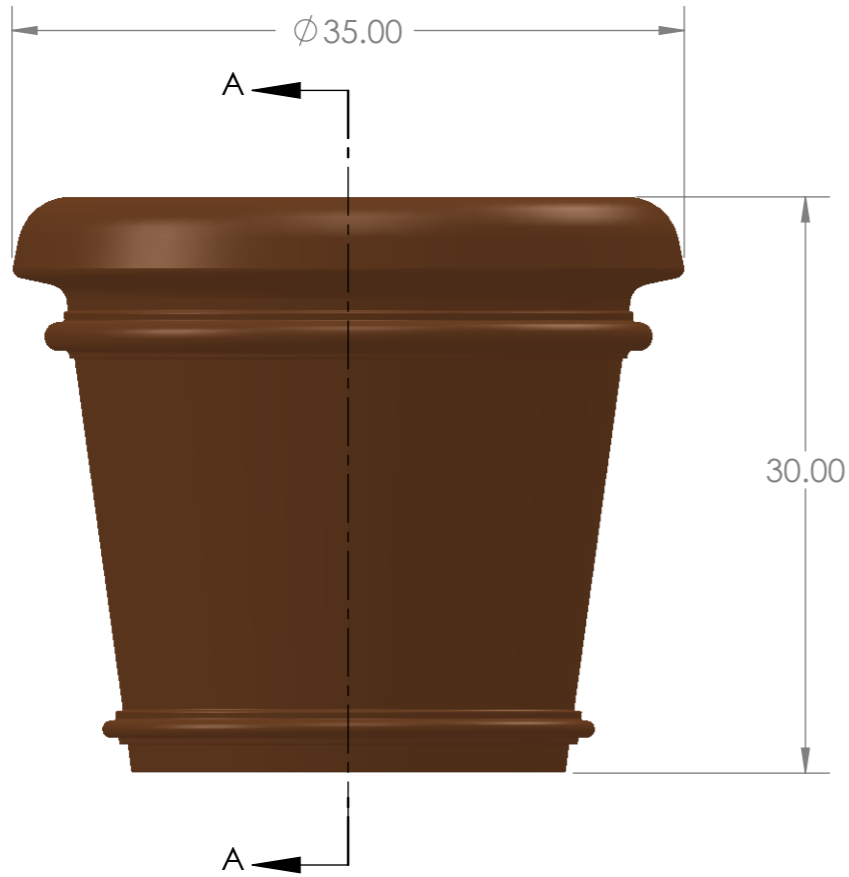
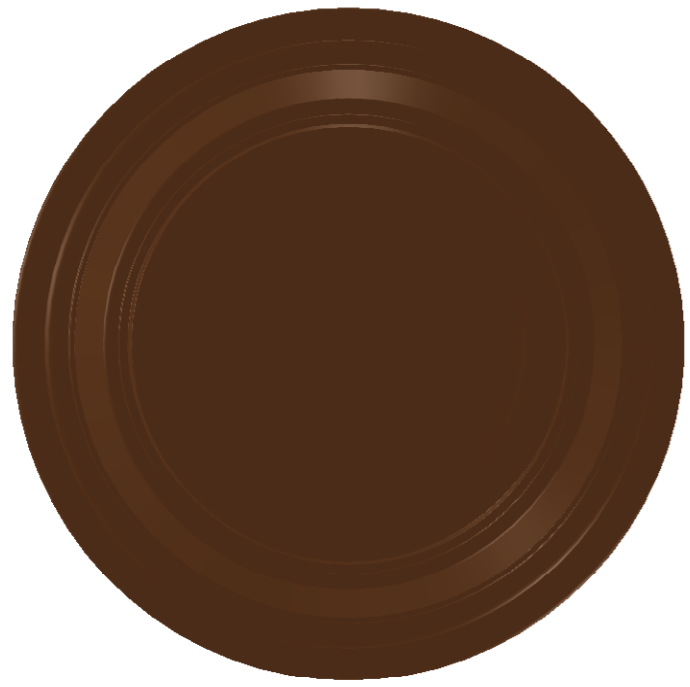


NOTE: CAD Drawings in .dwg and .igs format available upon request. This drawing may not be used for any purpose other than by the owner. The drawing is property of Armeria. All dimensions shown are outside part dimensions in inches and may vary due to material shrinkage. Specifications are subject to change without notice. Gallons and weights are approximate only.



SECTION A-A  
SCALE 1 : 10

**ARMERIA.LLC**  
www.armeria.us

890 W. 23rd STREET  
SAN PEDRO CA 90731  
PHONE: 323.522.4156  
FAX: 310.832.2026

**TITLE:TERRACAST TCB 7 CALIFORNIAN ROUND PLANTER**

**TCB 7**

| MATERIAL      | DATE       | Gallon (US) | cu.ft | REV |
|---------------|------------|-------------|-------|-----|
| POLYMER RESIN | 07/02/2012 | 5.29        | 0.70  | A   |