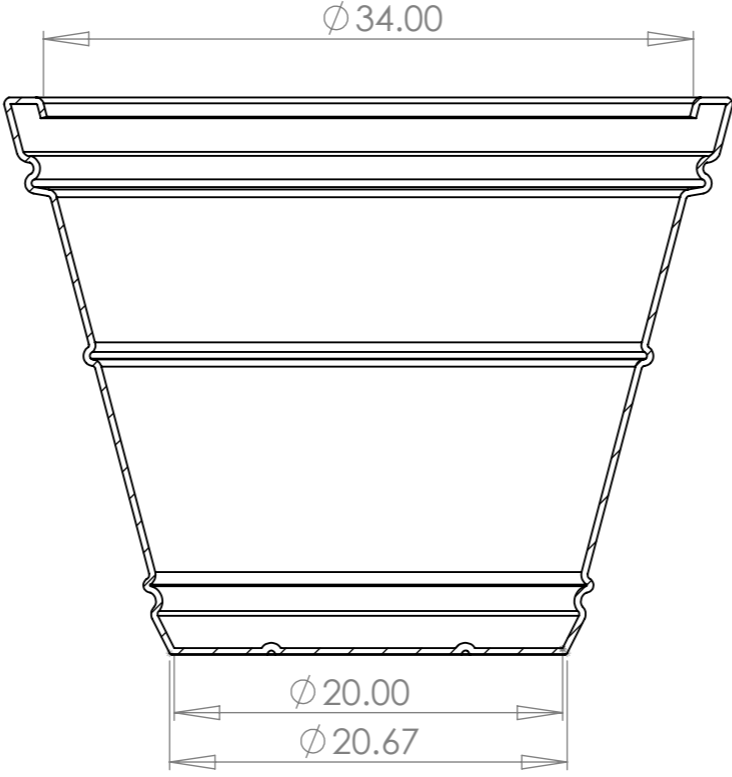
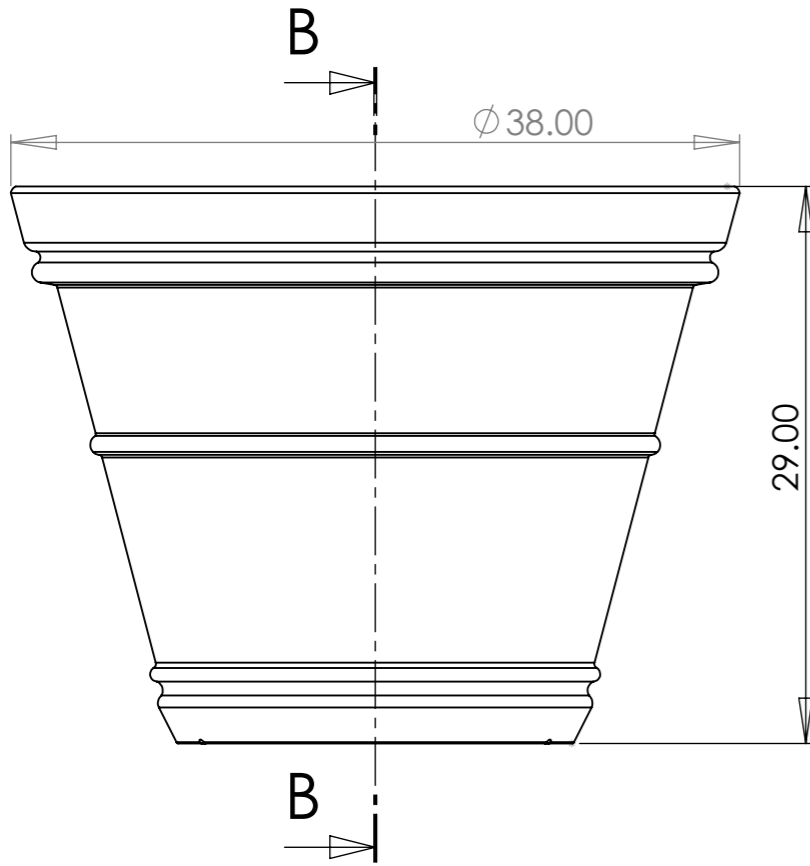
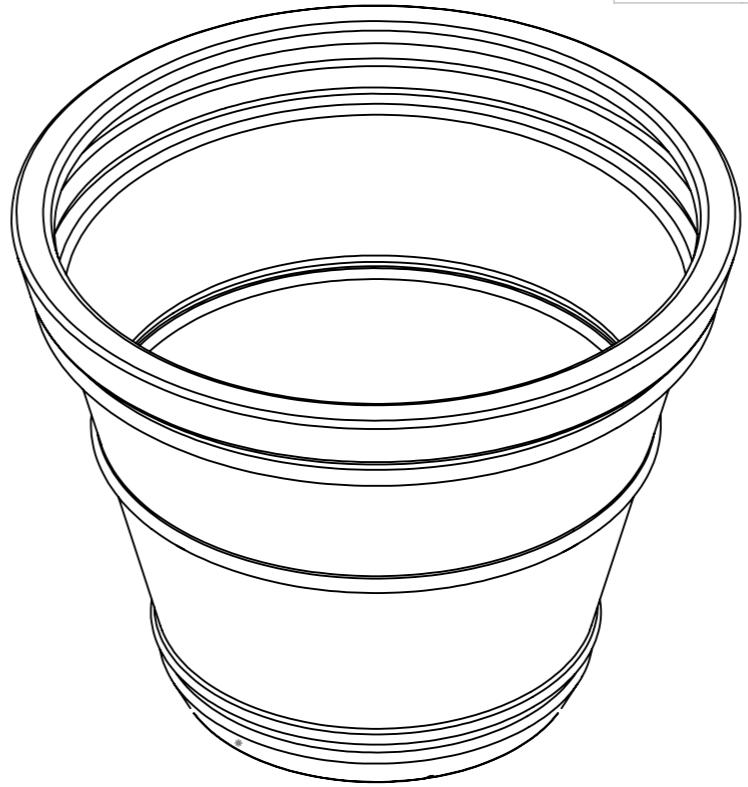
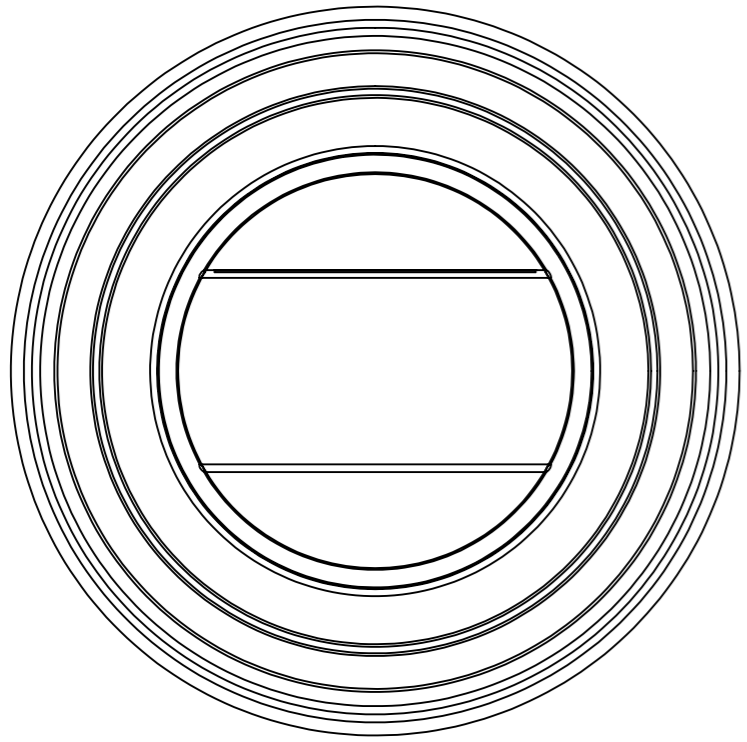


NOTE: CAD Drawings in .dwg and .igs format available upon request. This drawing may not be used for any purpose other than by the owner. The drawing is property of Armeria. All dimensions shown are outside part dimensions in inches and may vary due to material shrinkage. Specifications are subject to change without notice. Gallons and weights are approximate only.



SECTION B-B  
SCALE 1 : 10

<b>ARMERIA.LLC</b> www.armeria.us		890 W. 23rd STREET SAN PEDRO CA 90731 PHONE: 323.522.4156 FAX: 310.832.2026		
<b>TITLE: TERRACAST TC2-36 POLYMER RESIN CONTAINER          8VP36 VASE PLANTER</b>				
<b>Pedestrian Plaza: Fill Weight - 720#</b>				
<b>MATERIAL</b> POLYMER RESIN	<b>DATE</b> 1/02/2012	<b>Gallon (US)</b> 72	<b>cu.ft</b> 9.6	<b>REV</b> A
SCALE : Noted		SHEET 1 OF 1		