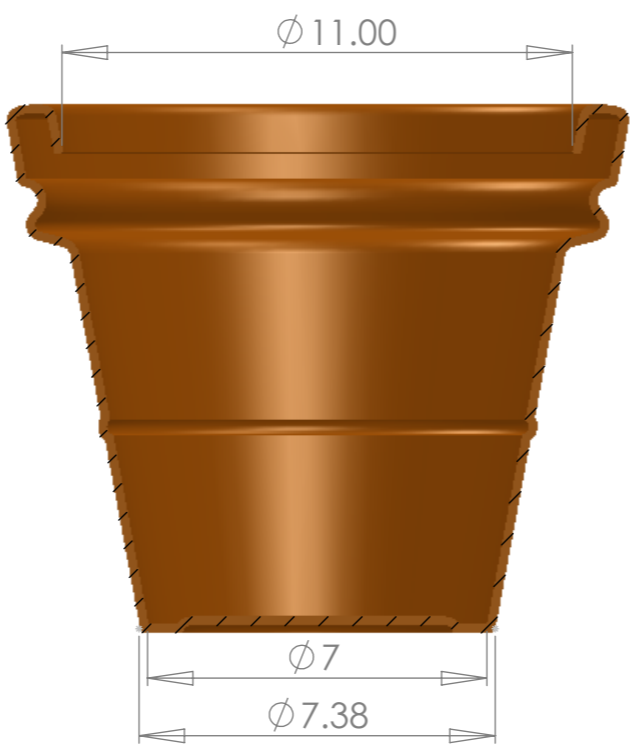
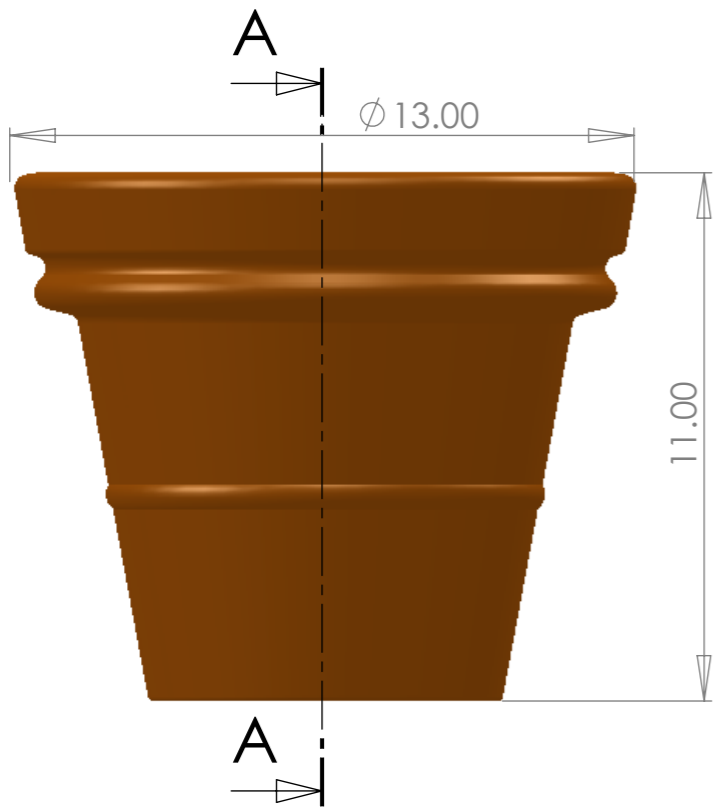
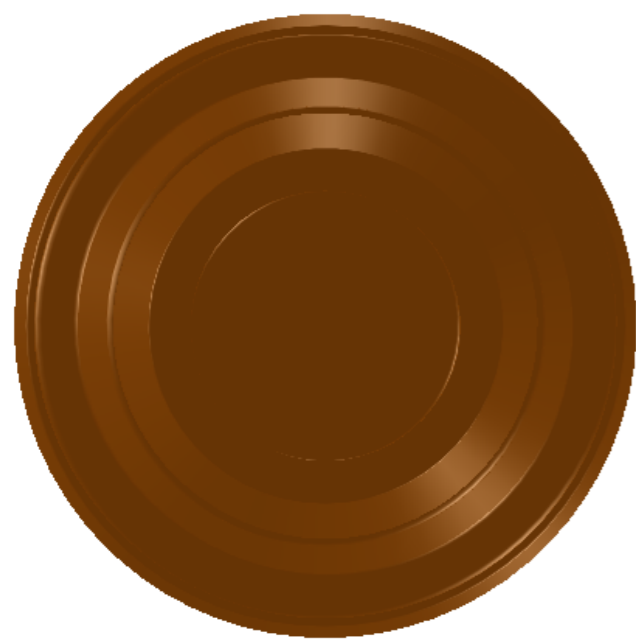


NOTE: CAD Drawings in .dwg and .igs format available upon request. This drawing may not be used for any purpose other than by the owner. The drawing is property of Armeria. All dimensions shown are outside part dimensions in inches and may vary due to material shrinkage. Specifications are subject to change without notice. Gallons and weights are approximate only.



SECTION A-A
SCALE 1 : 4

ARMERIA.LLC
www.armeria.us

890 W. 23rd STREET
SAN PEDRO CA 90731
PHONE: 323.522.4156
FAX: 310.832.2026

**TITLE: TERRACAST TC2-12 POLYMER RESIN CONTAINER
8VP12 VASE PLANTER**

MATERIAL	DATE	Gallon (US)	cu.ft	REV
POLYMER RESIN	13/02/2012	0.381	0.05	A
SCALE : Noted		SHEET 1 OF 1		